

Robert Bosch Power Tools GmbH
70538 Stuttgart
GERMANY

www.bosch-pt.com

1 609 92A 1MW (2015.06) I / 13 **EURO**



1 609 92A 1MW

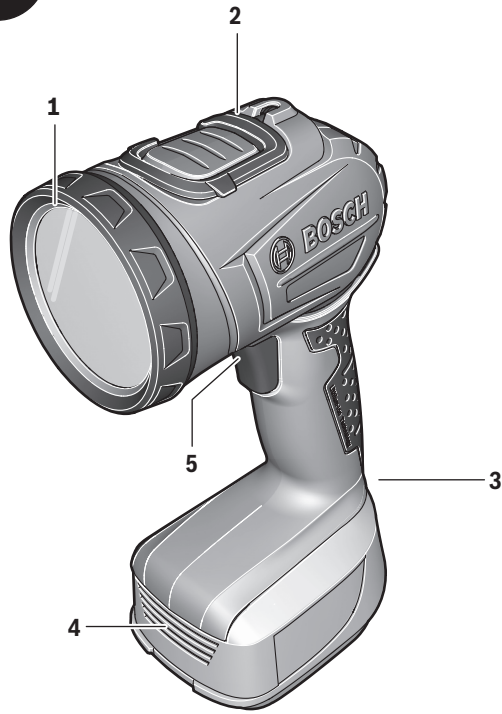
PLI 18 LI



en Original instructions



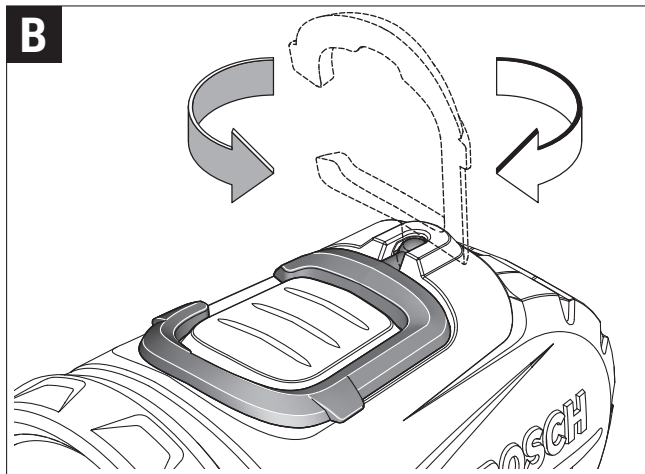
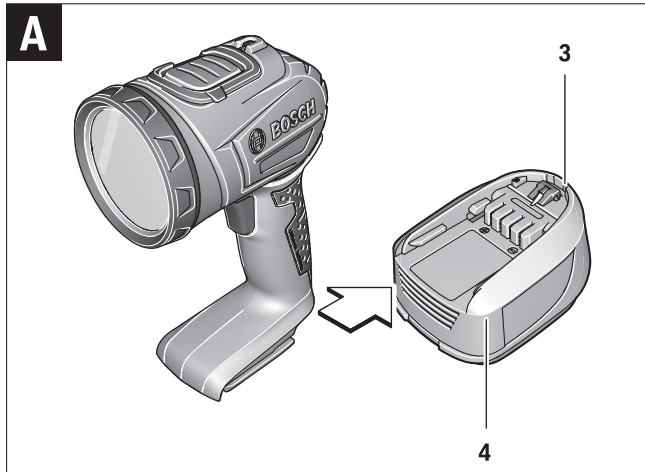
2 |



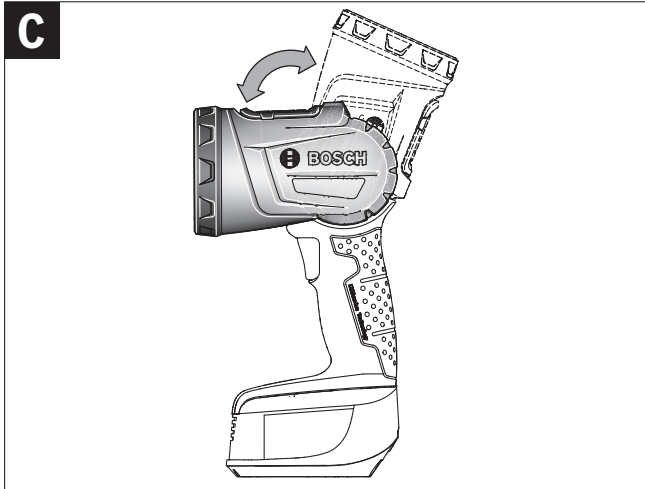
PLI 18 LI

1 609 92A 1MW | (8.2.16)

Bosch Power Tools



4 |



English

Safety Notes

Safety Warnings for Cordless Worklights



Read all safety warnings and all instructions. Failure to follow the warnings and instructions may result in electric shock, fire and/or serious injury.

- ▶ **Please read and observe all safety warnings and instructions enclosed with the battery or the power tool with which the battery was provided.**
- ▶ **Handle the cordless worklight with care.** The cordless worklight generates intense heat, which leads to increased danger of fire and explosion.
- ▶ **Do not work with the cordless worklight in hazardous areas.**
- ▶ **Do not direct the light beam at persons or animals and do not stare into the light beam yourself (not even from a distance).**
- ▶ **Use only original Bosch accessories.**
- ▶ **Do not cover off the lamp head while operating the cordless worklight.** The lamp head heats up during operation and can cause burns when the heat accumulates.
- ▶ **Do not use the cordless worklight in road traffic.** The cordless worklight is not approved for illumination in road traffic.
- ▶ **Before any work on the cordless worklight itself (e. g. assembling, maintenance, etc.), as well as when transporting and storing, remove the battery from the cordless worklight.**
- ▶ **Do not allow children to use the cordless worklight.** It is intended for professional use. Children can unintentionally blind themselves or other persons.



CAUTION! Do not stare into the light beam for longer periods. The optical radiation can be harmful for your eyes.

- ▶ **Do not open the battery.** Danger of short-circuiting.



Protect the battery against heat, e. g., against continuous intense sunlight, fire, water, and moisture. Danger of explosion.

6 | English

- ▶ **When battery pack is not in use, keep it away from other metal objects like paper clips, coins, keys, nails, screws, or other small metal objects that can make a connection from one terminal to another.** Shorting the battery terminals together may cause burns or a fire.
- ▶ **Under abusive conditions, liquid may be ejected from the battery; avoid contact. If contact accidentally occurs, flush with water. If liquid contacts eyes, additionally seek medical help.** Liquid ejected from the battery may cause irritations or burns.
- ▶ **In case of damage and improper use of the battery, vapours may be emitted. Ventilate the area and seek medical help in case of complaints.** The vapours can irritate the respiratory system.
- ▶ **Recharge only with the charger specified by the manufacturer.** A charger that is suitable for one type of battery pack may create a risk of fire when used with another battery pack.
- ▶ **Use the battery only in conjunction with your Bosch product.** This measure alone protects the battery against dangerous overload.
- ▶ **The battery can be damaged by pointed objects such as nails or screwdrivers or by force applied externally.** An internal short circuit can occur and the battery can burn, smoke, explode or overheat.

Product Description and Specifications

Intended Use

The cordless worklight is intended for mobile illumination in limited space and for limited time in dry indoor and outdoor areas and is not suitable for general room lighting.

Product Features

The numbering of the product features refers to the illustration of the cordless worklight on the graphics page.

- 1 Lamp head
- 2 Utility hook
- 3 Battery unlocking button
- 4 Battery pack*
- 5 On/Off switch

*Accessories shown or described are not part of the standard delivery scope of the product. A complete overview of accessories can be found in our accessories program.

English | 7

Technical Data

Cordless Worklight		PLI 18 Li
Article number		3 603 JA1 1xx
Rated voltage	V=	18
Lighting duration, approx.		
- 1.3 Ah	min	500
- 1.5 Ah	min	700
- 2.0 Ah	min	1000
Luminous flux	lm	100 – 140
Permitted ambient temperature		
- during charging	°C	0 ... +45
- during operation*	°C	-10 ... +40
- during storage	°C	-15 ... +50
Recommended batteries		PBA 18 V...V- PBA 18 V...W-
Recommended chargers		AL 18.. CV AL 22.. CV

* Limited performance at temperatures < 0 °C

The colour rendition of illuminated objects can be distorted.

Assembly**Battery Charging (Accessory) (see figure A)**

Note: The battery supplied is partially charged. To ensure full capacity of the battery, completely charge the battery in the battery charger before using your power tool for the first time.

The lithium-ion battery can be charged at any time without reducing its service life. Interrupting the charging procedure does not damage the battery.

The lithium-ion battery is protected against deep discharging by the "Electronic Cell Protection (ECP)". When the battery is empty, the cordless worklight is switched off by means of a protective circuit.

The battery is equipped with a NTC temperature control which allows charging only within a temperature range of between 0 °C and 45 °C. A long battery service life is achieved in this manner.

8 | English

► **Do not continue to press the On/Off switch after the cordless worklight has been automatically switched off.** The battery can be damaged.

To remove the battery **4**, press the battery unlocking button **3** and pull the battery out of the cordless worklight toward the rear. **Do not exert any force.**

Observe the notes for disposal.

Operation

Initial Operation

Inserting the battery

Insert the charged battery **4** into the handle until it can be felt to engage and faces flush against the handle.

Switching On and Off

► **The cordless worklight produces a light beam that emerges from the lamp head 1.**

To **start** the cordless worklight, press the On/Off switch **5**.

To **dim** the light of the cordless worklight, press the On/Off switch **5** again.

To **switch off** the cordless worklight, press the On/Off switch **5** again.

To save energy, only switch the cordless worklight on when using it.

Utility Hook (see figure B)

You can use the utility hook **2** to attach the cordless worklight to an object.

Swivelling the Lamp Head (see figure C)

The lamp head **1** can be swivelled up to 110° to suit the application.

Maintenance and Service

Maintenance and Cleaning

► **The light source cannot be replaced. If the light source is defective, the entire cordless worklight has to be replaced.**

When the battery is no longer operative, please refer to an authorised after-sales service agent for Bosch power tools.

The cordless worklight is maintenance-free and contains no components that must be replaced or maintained.

To avoid damage, clean the plastic lens of the cordless worklight only with a dry, soft cloth. Do not use cleaning agents or solvent.

If the cordless worklight should fail despite the care taken in manufacturing and testing procedures, repair should be carried out by an authorized after-sales service agent for Bosch power tools.

After-sales Service and Application Service

Our after-sales service responds to your questions concerning maintenance and repair of your product as well as spare parts. Exploded views and information on spare parts can also be found under:

www.bosch-pt.com

Bosch's application service team will gladly answer questions concerning our products and their accessories.

In all correspondence and spare parts orders, please always include the 10-digit article number given on the nameplate of the cordless worklight.

Great Britain

Robert Bosch Ltd. (B.S.C.)
P.O. Box 98
Broadwater Park
North Orbital Road
Denham
Uxbridge
UB 9 5HJ

At www.bosch-pt.co.uk you can order spare parts or arrange the collection of a product in need of servicing or repair.

Tel. Service: (0344) 7360109

E-Mail: boschservicecentre@bosch.com

Ireland

Origo Ltd.
Unit 23 Magna Drive
Magna Business Park
City West
Dublin 24
Tel. Service: (01) 4666700
Fax: (01) 4666888

10 | English

Australia, New Zealand and Pacific Islands

Robert Bosch Australia Pty. Ltd.
Power Tools
Locked Bag 66
Clayton South VIC 3169
Customer Contact Center
Inside Australia:
Phone: (01300) 307044
Fax: (01300) 307045
Inside New Zealand:
Phone: (0800) 543353
Fax: (0800) 428570
Outside AU and NZ:
Phone: +61 3 95415555
www.bosch.com.au

Republic of South Africa

Customer service

Hotline: (011) 6519600

Gauteng – BSC Service Centre

35 Roper Street, New Centre
Johannesburg
Tel.: (011) 4939375
Fax: (011) 4930126
E-Mail: bsctools@icon.co.za

KZN – BSC Service Centre

Unit E, Almar Centre
143 Crompton Street
Pinetown
Tel.: (031) 7012120
Fax: (031) 7012446
E-Mail: bsc.dur@za.bosch.com

Western Cape – BSC Service Centre

Democracy Way, Prosperity Park
Milnerton
Tel.: (021) 5512577
Fax: (021) 5513223
E-Mail: bsc@zsd.co.za

Bosch Headquarters

Midrand, Gauteng
Tel.: (011) 6519600
Fax: (011) 6519880
E-Mail: rbsa-hq.pts@za.bosch.com

Transport

The contained lithium-ion batteries are subject to the Dangerous Goods Legislation requirements. The user can transport the batteries by road without further requirements.

When being transported by third parties (e.g.: air transport or forwarding agency), special requirements on packaging and labelling must be observed. For preparation of the item being shipped, consulting an expert for hazardous material is required.

Dispatch batteries only when the housing is undamaged. Tape or mask off open contacts and pack up the battery in such a manner that it cannot move around in the packaging.

Please also observe possibly more detailed national regulations.

Disposal

Cordless worklights, battery packs, accessories and packaging should be sorted for environmental-friendly recycling.

Do not dispose of cordless worklights and batteries/rechargeable batteries into household waste!

Battery packs/batteries:**Li-ion:**

Please observe the instructions in section "Transport", page 11.

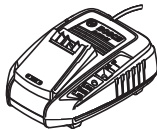
Subject to change without notice.



PBA 18 V ... W-



PBA 18 V ... V-



**AL 1830 CV
(14,4-18 V)**



**AL 2204 CV
AL 2215 CV
(14,4-21,6 V)**